
BN7000

Bluetooth Headset

User's Manual

1. Brief Introduction.....	2
1.1 What is Bluetooth	2
1.2、BN7000	2
2. Overview.....	3
3. Getting start	4
3.1 Charge	4
3.2 Wear the headset.....	4
4. How to use	5-7
4.1 Turn On/ Off the headset.....	5
4.2 Pairing with cell phone.....	6
4.3 Pairing with other Bluetooth devices.....	6
4.4 To make call.....	6
4.5 Indications.....	7
5. Maintenance and Care	7
6. Specifications.....	8
7. Warranty	8

Congratulations on your purchasing of BN7000 featuring Bluetooth technology for conversation wirelessly. please read the user's Manual carefully before using it ,

1. Brief Instruction

1.1 What is Bluetooth

Bluetooth technology is a close range of radio technology to transmit signals wirelessly over short distances between mobile phone, computer, headphone, printer, PDA and other devices.

1.2 BN7000 Bluetooth headset

This Bluetooth headset is compliant with any Bluetooth devices. It features with crystal clear sound, 9hours talk time and 170 hours standby time. This Bluetooth headset is styling in a small, ultra light- weight design. You can wear it both on your right or left ear with the included ear hook and rubber cap freely. It performs well even at a noisy condition. After paired and connected it with Bluetooth mobile phone, you can make conversation wirelessly with the headset as below,

- Answer call, end call and reject call wirelessly
- Redial last call
- Voice dial
- Adjust volume
- Switch the conversation between Bluetooth headset and the phone
- Delete current connecting device and connect with other device immediately
- Microphone mute
- Switch current conversation with new coming call (This function needs support from your phone)
- Support three-way conversation (This function needs support from your phone)

2. Overview

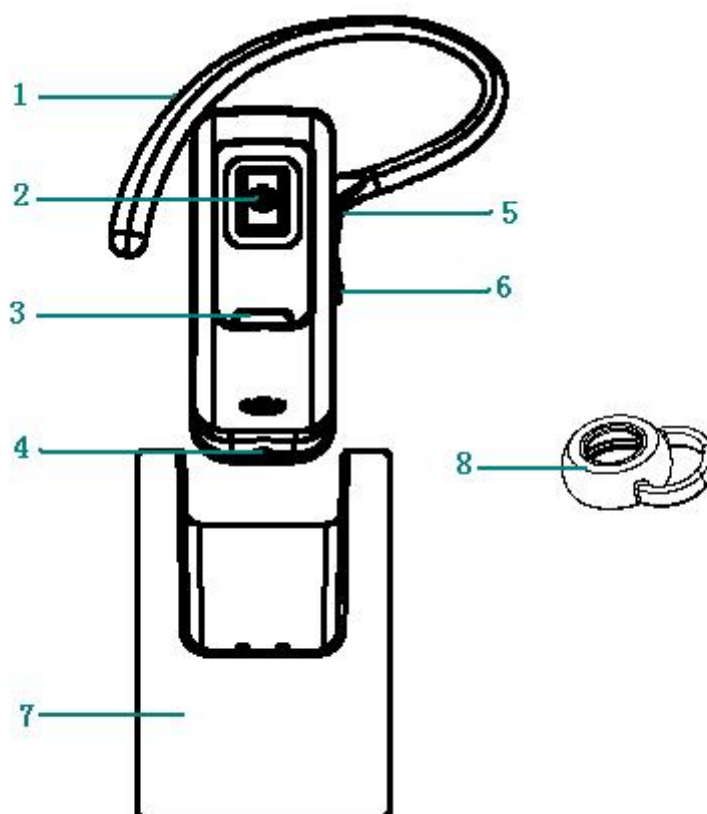


图 1

- 1、 Ear hook
- 2、 MFB: Turn on and off the headset/Answer the call/Reject the call/Dial the last number
- 3、 Indicator
- 4、 Microphone
- 5、 Volume +
- 6、 Volume -/ voice dial
- 7、 Dock
- 8、 Big Rubber cap

3.Getting Start

3.1Charge

First time charging

Before you use this Bluetooth headset, please place the headset on the dock, then plug mini USB to the dock and charge it for 2 hours

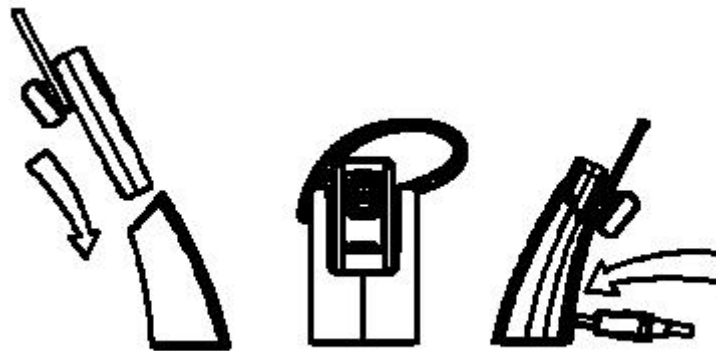


图 4

Next time

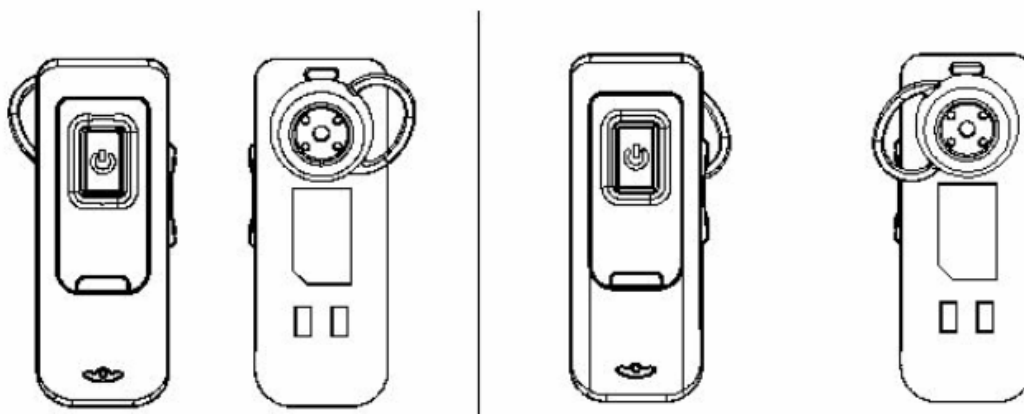
When you hear a warning tune of low battery with the red light blinks, you must recharge it and then use it.

- a. As the picture shows, place the headset onto the dock and plug the mini USB port to the dock. Pay attention to the direction of the port, or you may destroy the port.
- b. When the adapter is connected with the power supply, the headset comes into charging status, red light turns on and after 2 hours, red light turns off, the battery is full then

3.2 Wearing the headset

A、 with the big rubber cap

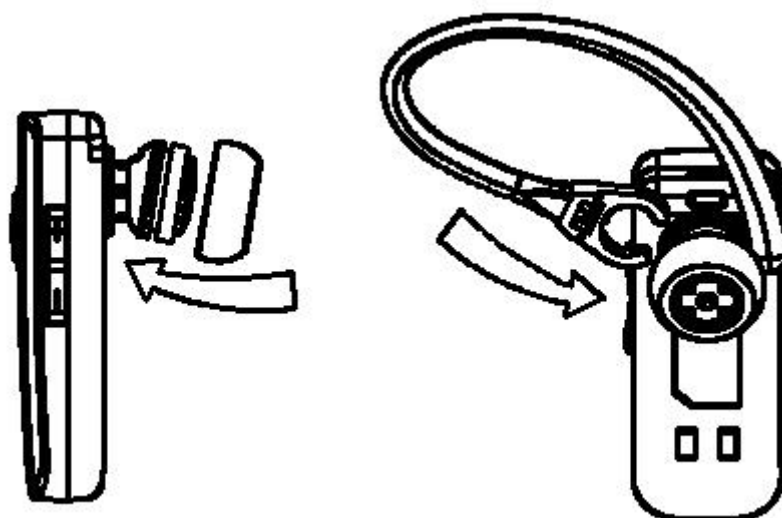
- You can pull the rubber cap and dress it on the loudhailer of the headset. And then this headset can be wore on both right and left ear.



- Wear the headset and turn the headset to make the Microphone towards you mouth. Then it will be firmly be wore on your ear to make your conversation smoothly.

B. With the ear hook

● Take the big rubber cap away and put on the small rubber cap, and install the ear hook as the below picture shows. Try to wheel the hook and then you can wear it on both your right and left ear.



4. How to use

4.1 Turn On/ Off the headset

- Press the MFB for 5 seconds, you will hear a DI tone as well as blue light blinking once. The headset then is turned on.
- Press the MFB for 2 to 3 seconds, you will hear a DI tone as well as blue light blinking once. Then the headset is turned off.
- If the headset has been turned on for more than 10 minutes without finding a pairing device, then it will turn off automatically to save power.
 - There will be indicator tone with red light blinking when the battery power is low. The headset will turn off automatically when the battery power is low.

4.2 Pairing with cell phone

- The headset must be paired with the cell phone before it is connected with the cell phone. Please keep them in 5 meters when pairing them.
 - At the status of Off, press the MFB for 7 to 8 seconds and you will hear DI and DONGDONG two indicator tone, red and blue light blink. The headset comes into pairing status now.

● Start the cell phone's searching for device function, please refer to the cell phone's user Manual for the pairing details. All the devices that are searched will display on the cell phone.

● Please select BN7000 in the list and confirm according to the cell phone. Input the code 1234, then pairing is finished successfully.

4.3 Pairing with other Bluetooth devices

● The headset can only connect with the last paired device automatically. If you want to run the new paired device, you have to pair the device with the headset again. Please refer to pairing with cell phone for pairing details.

4.4 To make call

The headset supports both handsfree and headset function. How to dial depends on what your cell phone supplies.

Remark: Not all the cell phone support all the function listed below, please refer to your cell phone user Manual.

Function	Status		Operations
	Cell phone	Headset	The headset
Voice dial	Standby	Turning on	Press the Volume+ for 2 s until a tone
Redial the last number	Standby	Turning on	Press the MFB shortly
Adjust the Volume	Conversation	Conversation	Press the Volume+ and -
End the call	Conversation	Conversation	Press the MFB shortly
Accept the call	Ringing	Turning on	Press the MFB shortly
Reject the call	Ringing	Turning on	Press the MFB for 2s and release
Switch the call to cell phone	Conversation	Turning on	Press the Volume+ for 2s
Mute	Conversation	Conversation	Press the Volume+ and – for 2s Simultaneously and release it

4.5 Indications

● Charging

Indicator	Status
Red light turns on	Charging
Red light turns off	Finish charging

● Connected with cell phone

Indicator	Status	Remark
-----------	--------	--------

Blue light blinks every 1 second	Standby, paired but not connected	Red light will turn on to indicate the low battery
Blue light blink twice every 4 seconds	Standby and connected with other devices	
Blue light blinks once every 1 seconds	Conversation	
Blue and red light blink alternatively	Pairing	

5. Maintenance and Care

Please refer to following suggestion that will help you to fulfill any warranty obligations and to enjoy this product many years.

1. Keep this kit dry. Humidity and all types of liquids or moisture will corrode electronic circuits
2. Don't store the headset in hot areas. High temperatures can shorten the life of electronic devices, damage batteries and warp or melt certain plastics.
3. Don't attempt to open the headset. Non-expert handling may damage it.
4. Don't drop, knock or shake the headset. Rough handling can break internal circuit boards.
5. Don't use harsh chemicals, cleaning solvents, or strong detergents to clean the headset.
6. Don't scratch the cover of headset.
7. Store the headset in the package when you don't use it in long time.

If the headset can't working properly, please carry it to the nearest qualified dealer. The personnel there will assist and help you warmly.

6. Specifications:

Bluetooth	Bluetooth V2.0+EDR
Operating Frequency Band	2.402GHz ~ 2.480GHz unlicensed ISM band
Modulate methods	GFSK
Incept Sensitivity	BER = 0.1 % under standard conditions:-80dB
Corresponding speed	2Mbps (Max)
Function Range	10m
Working time	Up 9h
Standby time:	170h
Input Voltage 输入电压	DC: +5.0±0.25V/300mA
Working temperature	-20~+75℃
Charging time	2.0~2.5h
Dimensions	47*18*10.5mm
Weight	10g

7.Warranty

Hayat and Hu Corporation Ltd provides one year manufacturer warrantee to this product.

If you need support for this product, you can find FAQs from www.bluenext.co.uk
Or contact the technical support

Email: info@bluenext.co.uk

Address: Headset Technical Support
Hayat and Hu Corporation Ltd
Manchester Technology Centre
Armstrong House
Oxford Road
Manchester
M1 7ED

Tel: 0161 228 6363